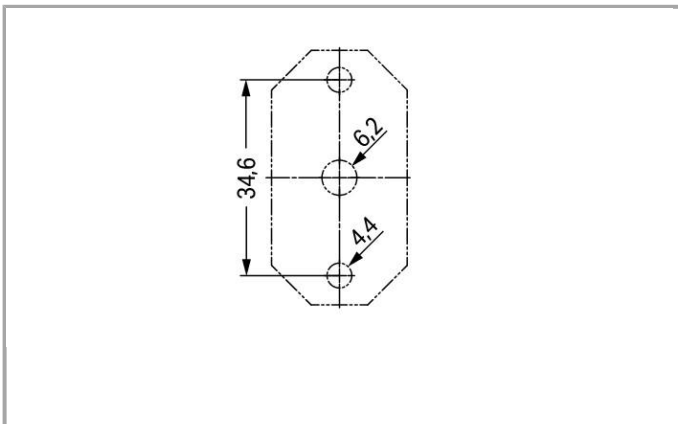
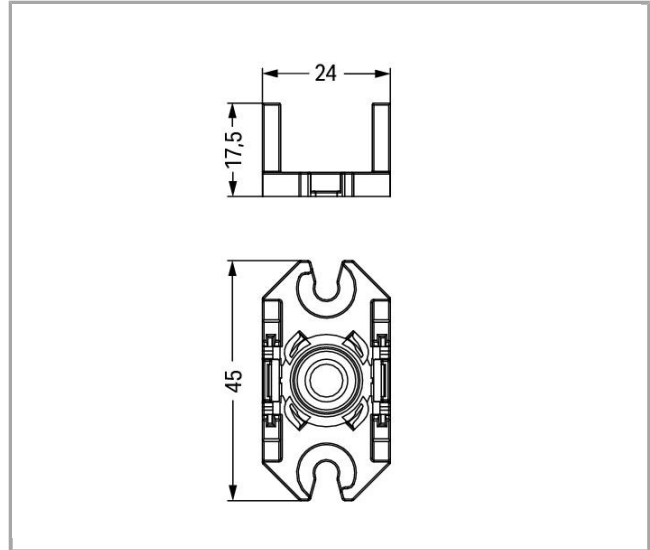
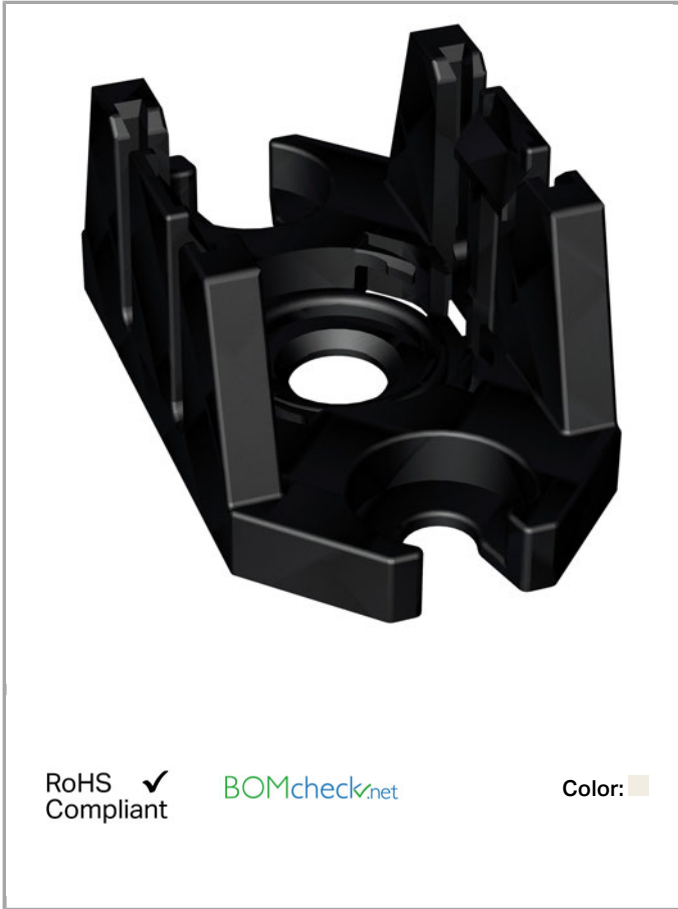


770-1627



Data

Mechanical data

Mounting type

Screw mounting



Material Data

Color	white
Insulating material	Polyamide 66 (PA 66)
Flammability class per UL94	V0
Fire load	0.12 MJ
Weight	4 g

Environmental Requirements

Processing temperature	-5 +40 °C
Continuous operating temperature	-35 +85 °C
Note on Continuous Service Temperature	Insulating parts for temperatures \leq 105 °C

Commercial data

Product Group	20 (WINSTA)
Country of origin	DE
GTIN	4050821854531
Customs Tariff No.	39269097900

Downloads

Documentation

Bid Text

770-1627	doc	Download
	23.0 kB	

Subject to changes.